

THE LENGTH OF CONDUCTORS 200 mm
DÉLKA VODIČŮ 200 mm

HSA A-2 NPE LED S

- Surge arresters type T3 specially adapted for the protection of LED lights.
- Intended for mounting directly to the lights.
- Installed at the boundaries of LPZ 2 – LPZ 3, as close as possible to the protected device (no further than 5 m).
- A lightning and surge arrester T1 and T2 from HAKEL company must be installed in front of the HSA A-2 NPE LED S.
- **S** indication specifies a version with remote monitoring.

| Type | | HSA A-2 NPE LED S |
|--|-----------|---|
| Test class according to EN 61643-11:2012 (IEC 61643-11:2011) | | T3 |
| Number of poles | | 2 |
| Rated operating AC voltage | U_N | 230 V |
| Maximum continuous operating voltage AC | U_C | 320 V |
| Rated load current | I_L | 10 A |
| Open circuit voltage of the combination wave generator | U_{OC} | 6 kV |
| Voltage protection level at U_{OC} (L/N) | U_p | < 1.3 kV |
| Voltage protection level at U_{OC} (L/PE, N/PE) | U_p | < 1.5 kV |
| Nominal discharge current for class II test (8/20) | I_n | 3 kA |
| Maximum discharge current (8/20) | I_{max} | 8 kA |
| Temporary overvoltage test (TOV) for $t_T = 5$ s (L/N) | U_T | 337 V |
| Temporary overvoltage test (TOV) for $t_T = 120$ min (L/N) | U_T | 440 V |
| Temporary overvoltage test (TOV) for $t_T = 0.2$ s (N/PE) | U_T | 1 200 V |
| Response time (L/N) | t_A | < 25 ns |
| Response time (L/PE, N/PE) | t_A | < 100 ns |
| Maximal back-up fuse | | 10 A gL/gG |
| Residual current | I_{PE} | $\leq 5 \mu A$ |
| Lightning protection zone | | LPZ 2-3 |
| Housing material | | Polyamid PA6, UL94 V-0 |
| Degree of protection | | IP20 |
| Operating temperature | θ | $-40 \div 70$ °C |
| Humidity range | RH | 5 ÷ 95 % |
| Recommended cross-section of connected conductors | S | 1.5 mm ² |
| Installation | | Built-in installation, In the installation box, Wiring cable duct |
| Product placement environment | | Internal |
| Signalling at the device | | None |
| Remote signalling | | Yes |
| Importance of remote signalling | | Potential opening contact (voltage loss) |
| Includes EMI / EMC filter | | No |
| Modular design | | No |

| Type | | HSAA-2 NPE LED S |
|--|---|----------------------|
| Lifetime | | > 100 000 h |
| Designed according to standards | | |
| Requirements and test methods for SPDs connected to low-voltage power systems | | IEC 61643-11:2011 |
| Safety of Flammability of Plastic Materials | | UL 94 |
| Application standards | | |
| Protection against lightning | | IEC 62305:2010 |
| Selection and erection of electrical equipment – Switchgear and controlgear | | HD 60364-5-53:2022 |
| Selection and application principles for SPDs connected to low-voltage power systems | | CLC/TS 61643-12:2009 |
| Ordering, packaging and additional data | | |
| Mass | m | 28 g |
| Mass (including the packaging) | m | 39 g |
| Packaging dimensions (H x W x D) | | 26 x 98 x 73 mm |
| Packaging value | V | 0.19 dm ³ |
| ETIM group | | EG000021 |
| ETIM class | | EC000942 |
| Customs tariff no. | | 85363010 |
| EAN code | | 8590681186596 |
| Art. number | | 32 010 |

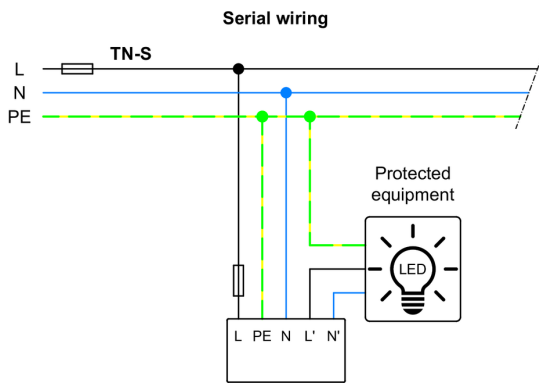
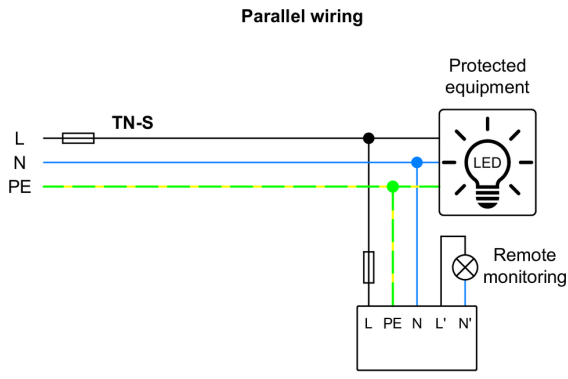


The link in the QR code leads to the online presentation of the **HSAA-2 NPE LED S**. There, in addition to the always up-to-date data sheet, you will also find all diagrams and drawings, declarations of conformity, or 2D or 3D models and other necessary materials. For more information, visit www.hakil.com



8590681186596

Application wiring diagram (installation)



Internal diagram

